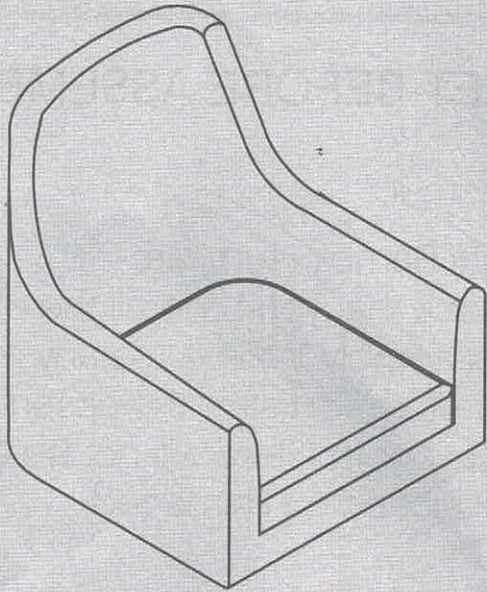


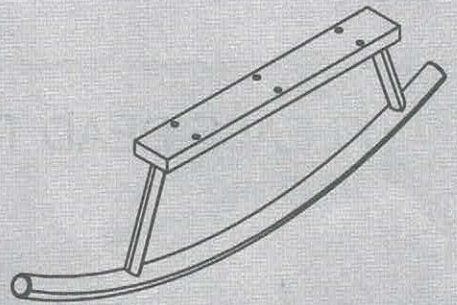
# Parts list

A



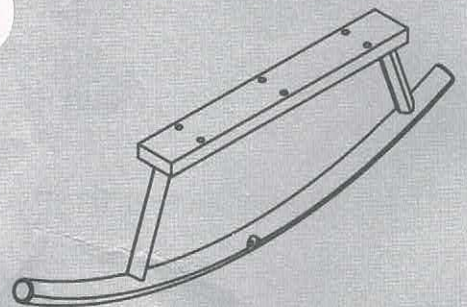
Quantity x1

C



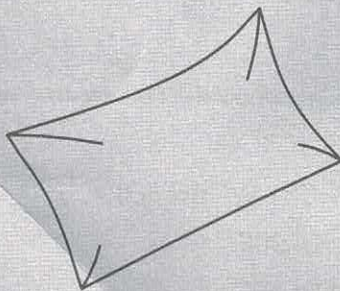
Quantity x1

D



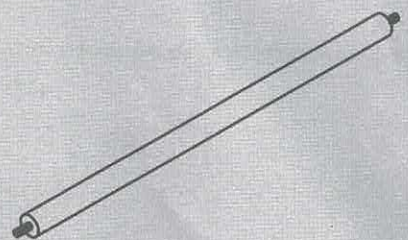
Quantity x1

B



Quantity x1

E



Quantity x1

1



Quantity x12

2



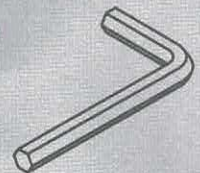
Quantity x12

3



Quantity x12

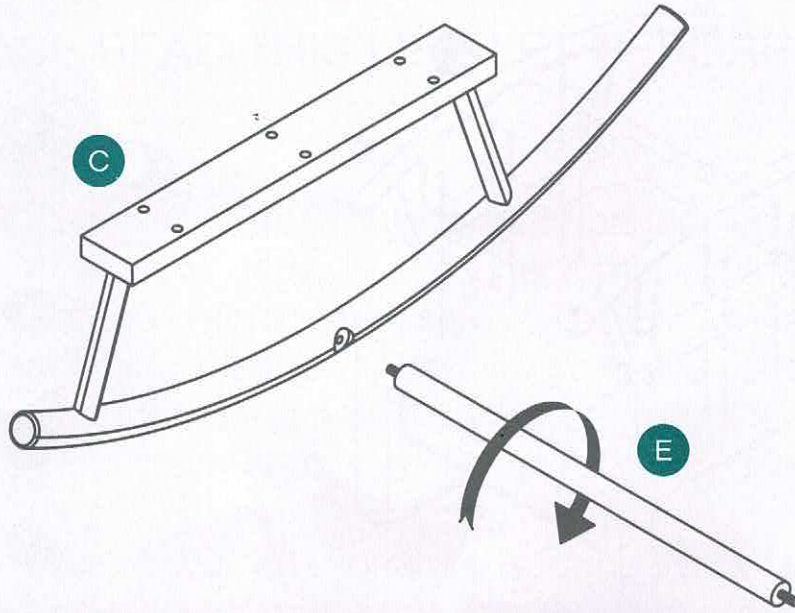
4



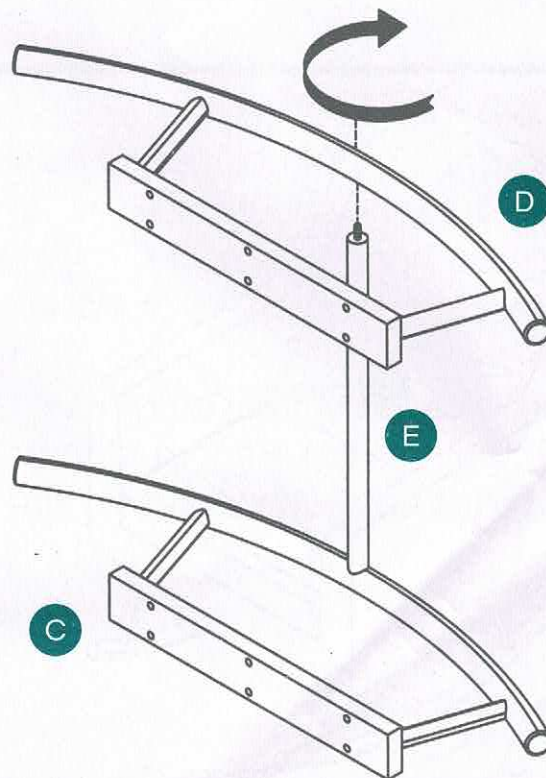
Quantity x1

# Assembling into a chair

1

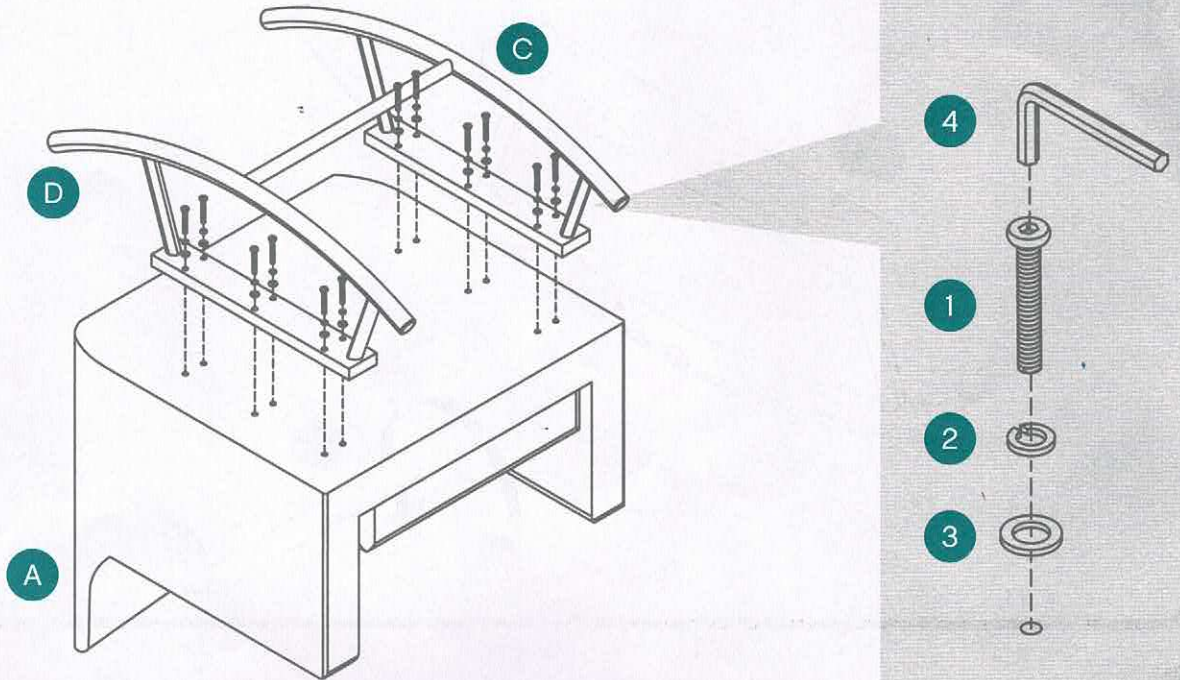


2



# Assembling into a chair

3



4

