

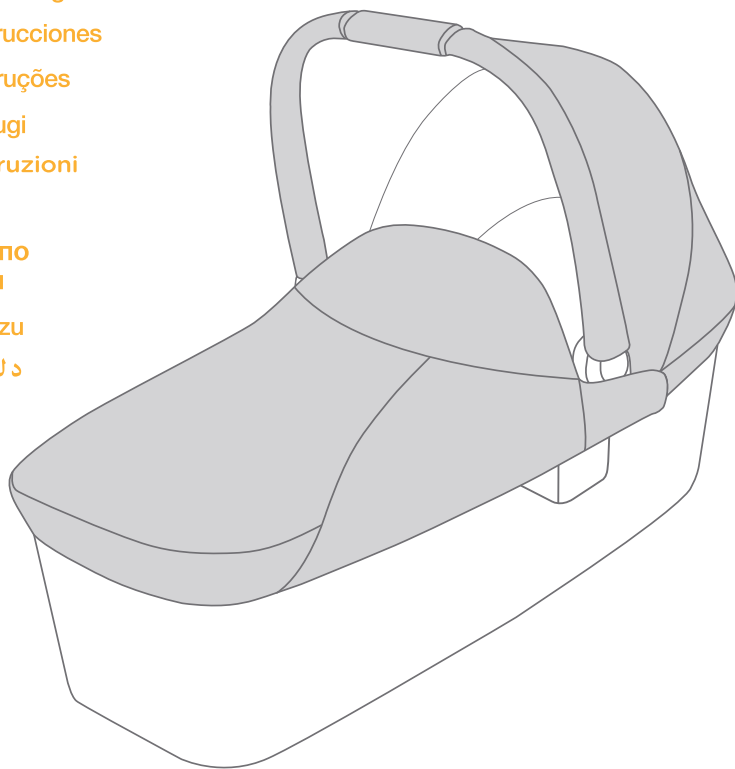
Joie®

Share the joy at
joiebaby.com

ramble™

carry cot

- GB Instruction Manual
- FR Manuel d'instructions
- DE Bedienungsanleitung
- ES Manual de instrucciones
- PT Manual de Instruções
- PL Instrukcja obsługi
- IT Manuale di istruzioni
- NL Handleiding
- RU Руководство по эксплуатации
- TR Kurulum Kılavuzu
- AR دليل التعليمات



WARNING

IMPORTANT: Read the instructions carefully before use and keep these instructions for future reference.

- ! This product is suitable for a child who can not sit up by itself, roll over and can not push up itself up on its hand and knees. Maximum weight of the child: 9kg.
- ! Use only on a firm, horizontal level and dry surface.
- ! Do not let other children play unattended near the carry cot.
- ! Do not use if any part of the carry cot is broken, torn or missing.
- ! Use only replacement parts supplied or approved by the manufacturer.
- ! Be aware of the risk of open fire and other source of strong heat, such as electric bar fires, gas fires, etc., in the near vicinity of carry cot.
- ! The handles and the bottom of the carry cot should be inspected regularly for signs of damage and wear.
- ! DO NOT use or add any mattress other than the one supplied with the carry cot.
- ! This carry cot is not intended for prolonged periods of sleeping.
- ! Do not leave your child unattended.
- ! Never use the carry cot on a stand.
- ! The head of the child in the carry cot should never be lower than the body of the child.
- ! Before carrying or lifting, make sure that the handle is in the correct position of use.

Product Information

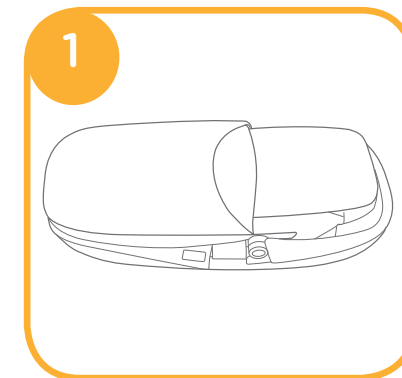
Read all the instructions in this manual before using this product. If you have any further questions, please consult the retailer. Some features may vary depending on model.

It is approved to European Safety Standard EN1466:2014/AC:2015.

Product	Carry Cot
Patent No.	Patents pending
Made in	China
Website	www.joiebaby.com
Manufacturer	Joie Children's Products (UK) Ltd, Venture Point, Towers Business Park Rugeley, Staffordshire, WS15 1UZ

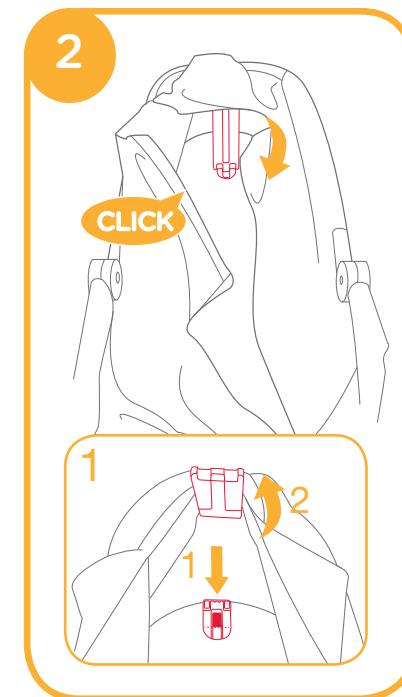
Assemble Carry Cot

see images ① - ⑥



1. Please check whether 2 support mounts are fixed correctly. ②

! To release the support mounts, please see image ② - 1

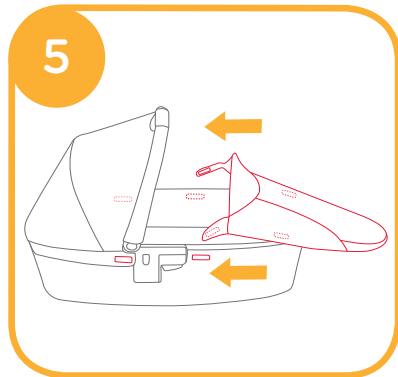
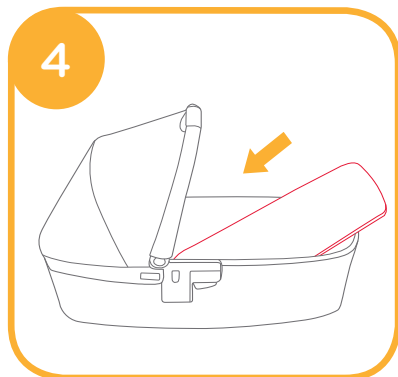
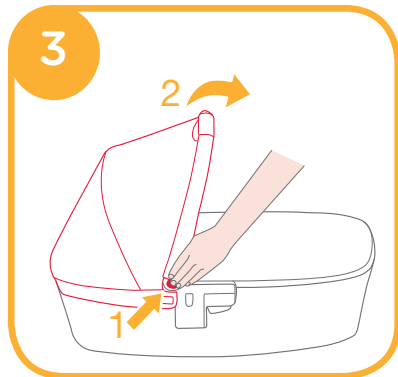


2. To open the canopy, pull the canopy toward front ③ - 2 while pressing the buttons on the both sides. ③ - 1

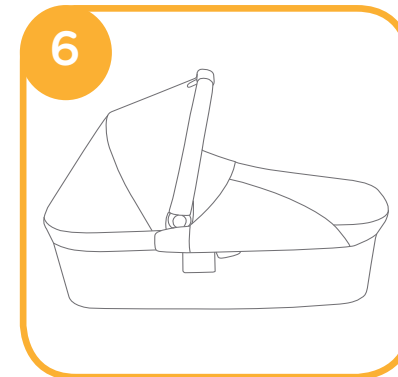
- ! Always use the mattress when using the carry cot.
- ! Mattress cover can easily be removed to wash.

3. Put the bedcover into the carry cot, then attach the hook and loop fasteners on the carry cot. ⑤

- ! Using the bedcover in winter to give baby a more warm and comfortable sleep environment.

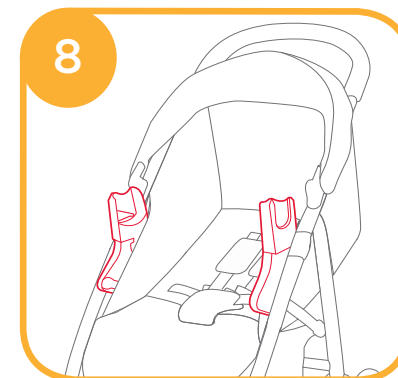
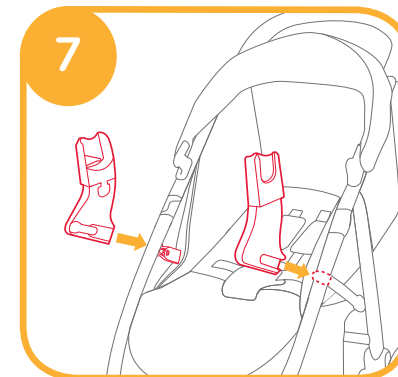


4. The completely assembled Carry cot is shown as ⑥. To disassemble the carry cot simply reverse the steps above.



Use Carry Cot

see images 7 - 12

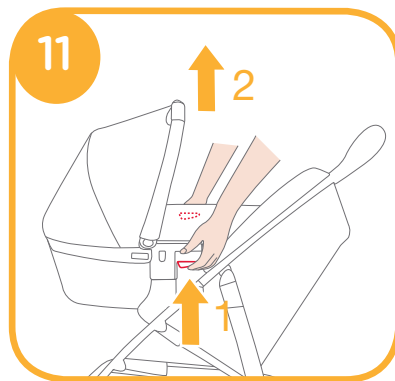
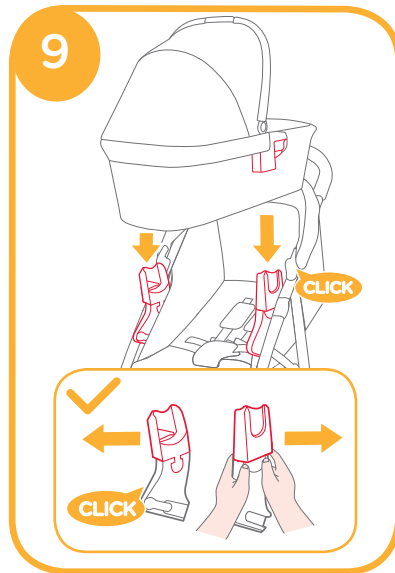


Place the carry cot directly down until it clicks into adapters. ⁹

A click sound means carry cot assembled completely. ⁹

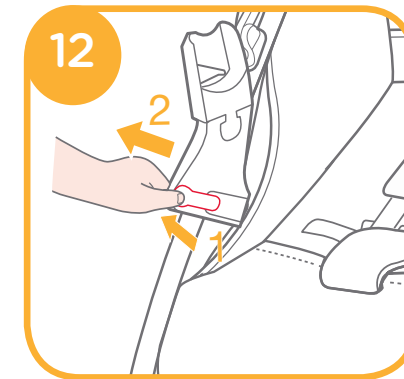
! Please don't fold the stroller when the carry cot is still attached.

Use the carry cot only with the Litetrax™ 4 Stroller which attached adapters.



Remove Carry Cot

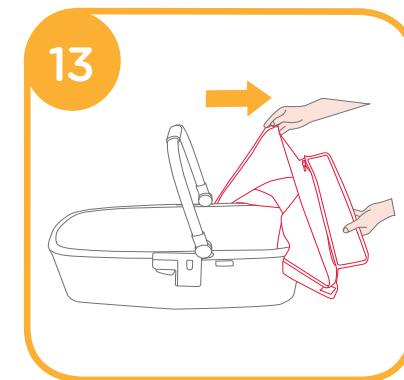
Press release buttons on both side of carry cot ¹¹ - 1, and then lift it upwards. ¹¹ - 2



Detach Soft Goods

see images ¹³

Unzip the zipper to remove the canopy soft goods. ¹³



Care and Maintenance

1. Remove mattress from carry cot and mattress pad from liner. Clean liner and mattress with a damp cloth and dry flat.
2. **CLEANING:** After removing mattress pad from liner, hand wash, drip dry, **NO BLEACH**. Only use a damp cloth to clean the mattress pad. Never iron.
3. Removable seat pad may be washed in cold water and drip-dried. No bleach.
4. Excessive exposure to sun or heat could cause fading or warping of parts.

