

CONCORD **SPIN**



DEUTSCH	03
ENGLISH	17
FRANÇAIS	31
ESPAÑOL	45
ITALIANO	59
PORTUGUÊS	73
NEDERLANDS	87
NORSK	101
DANSK	115
SUOMI	129



Norm DIN EN 14988:2006
standard DIN EN 14988:2006
norme DIN EN 14988:2006
norma DIN EN 14988:2006
szabvány DIN EN 14988:2006

_ ENGLISH

OVERVIEW	18
PLEASE NOTE	19
UNFOLDING THE CONCORD SPIN	20
FOLDING THE CONCORD SPIN	21
ADJUSTING THE CONCORD SPIN SEAT HEIGHT	22
USING THE FOOTREST	23
USING THE TRAY	24
CLEANING AND MAINTENANCE	25
USING THE HARNESS SYSTEM	26
USING THE COVER	28
GUARANTEE	29
CONCORD ORIGINAL SPARE PARTS/ACCESSORIES	30

_ THANK YOU!

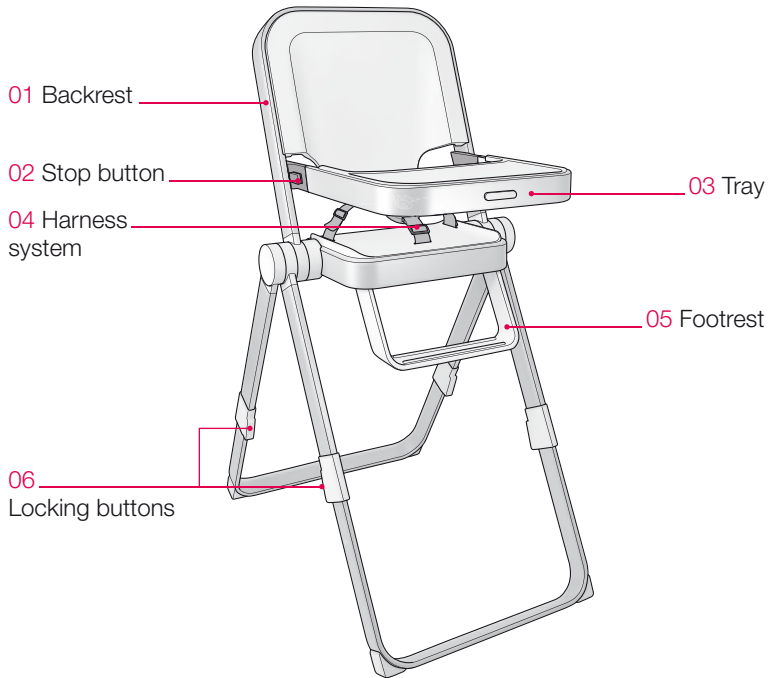
We are delighted that you have chosen a quality Concord product. You are sure to be convinced by this product's versatility and safety. We hope you enjoy using your new CONCORD SPIN.

The CONCORD SPIN is suitable for children aged approx. 6 –36 months.

_ IMPORTANT!

PLEASE KEEP FOR FUTURE REFERENCE.

_ OVERVIEW



_ PLEASE NOTE

IMPORTANT!

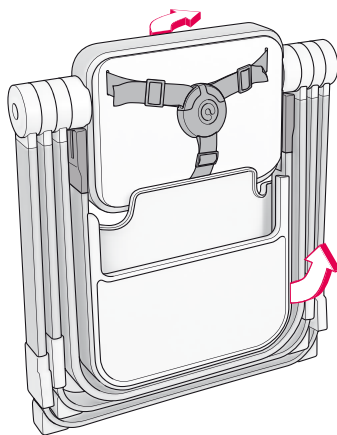
- Please read the instructions for use thoroughly before using the CONCORD SPIN and keep them carefully for later reference. Not following the instructions described here can impair the child's safety.

WARNING!

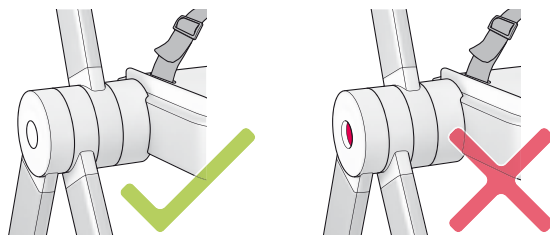
- The CONCORD SPIN is suitable for children who can sit up unaided.
- Do not leave your child unattended.
- Do not allow other children to play unsupervised near the CONCORD SPIN.
- Only use the CONCORD SPIN on a firm, horizontal and dry surface.
- Never lift the CONCORD SPIN up by the tray.
- Do not use the CONCORD SPIN if parts are broken, torn or missing.
- Always use the harness system and tray when the child is sitting in the CONCORD SPIN.
- Please make sure that all straps are fastened securely and adjusted properly.
- Do not use the CONCORD SPIN if any of the components are incorrectly attached or not locked into position.
- Only use original Concord accessories.
- Be aware of the risks presented by an open fire and other heat sources such as electric heaters, gas flames etc. if they are right next to the CONCORD SPIN.
- Dispose of the plastic packaging immediately. It can endanger the lives of children.

_ UNFOLDING THE CONCORD SPIN

To unfold the CONCORD SPIN, fold out the footrest (see USING THE FOOTREST). Undo the transport lock by pressing the locking button while simultaneously pulling the lever on the bottom of the seat. Keep the lever raised and move the backrest (01) upwards until the CONCORD SPIN is fully unfolded and clicks audibly into position.



Check that the locking pins on the left and right of the central hinge have engaged and are flushly aligned.

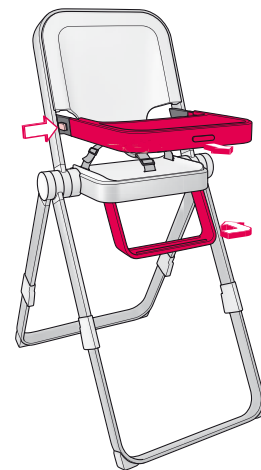


WARNING!

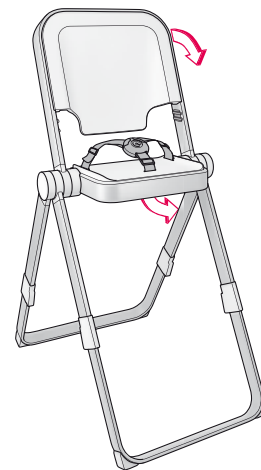
- If the tray is not fitted, always use the CONCORD SPIN harness system (04).

_ FOLDING THE CONCORD SPIN

Before folding the CONCORD SPIN, take off the cover (see USING THE COVER), remove the tray (03), store it in the backrest (01) (see USING THE TRAY) and fold out the footrest (05) (see USING THE FOOTREST).



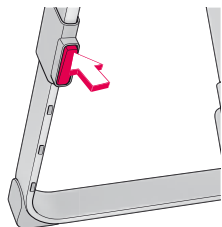
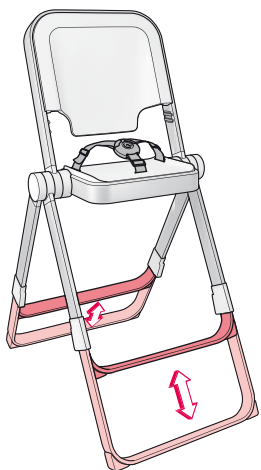
Release the transportation lock by simultaneously pressing the lock button and pulling the lever on the bottom of the seat. Move the backrest (01) forwards until the CONCORD SPIN is fully folded and audibly clicks into position. Now, fold in the footrest (05) (see USING THE FOOTREST).



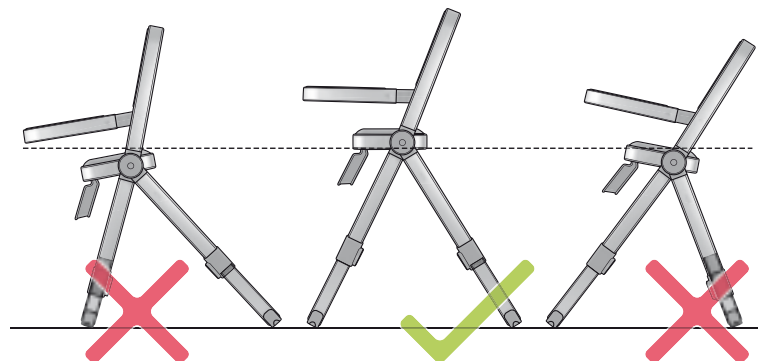
_ ADJUSTING THE CONCORD SPIN SEAT HEIGHT

The CONCORD SPIN can be adjusted to four different heights.

To raise the seat of the CONCORD SPIN, place your foot on the crosspiece of the leg, press the locking buttons (06) on both sides of each leg and move the top part of the leg upwards. Make sure that the number of holes that are visible on the front and back legs of the CONCORD SPIN is identical to ensure that the seat is level.



To lower the CONCORD SPIN, press the locking buttons (06) on both sides of each leg and guide the upper part of the leg downwards. Check that the number of holes visible on the front and back leg of the CONCORD SPIN is identical to ensure that the seat is horizontal.

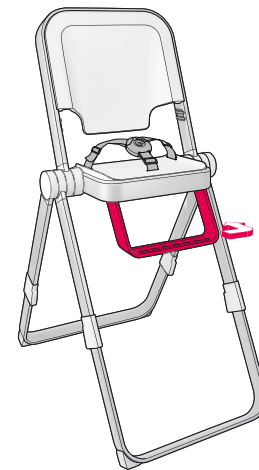


_ USING THE FOOTREST

The CONCORD SPIN's footrest is located under the seat.

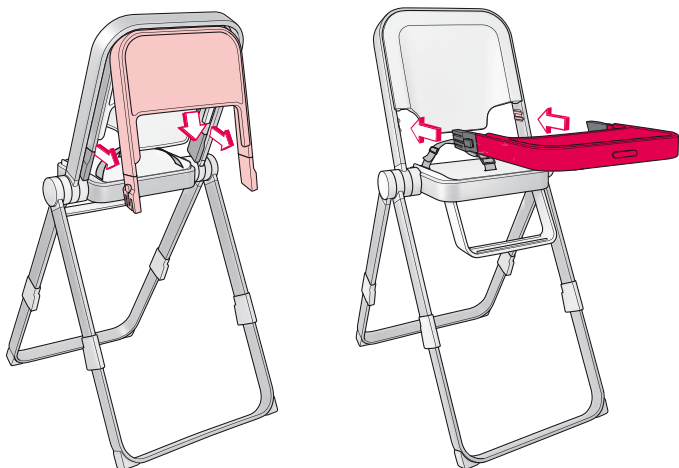
Pull the footrest (05) to the right as far as it will go and fold it down until the footrest moves to the left and is firmly secured.

To fold the footrest in, move it to the right as far as it will go. Then fold the footrest up until it moves to the left and is firmly secured.

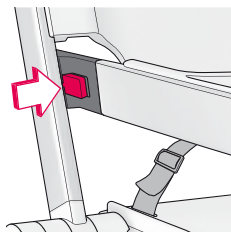


_ USING THE TRAY

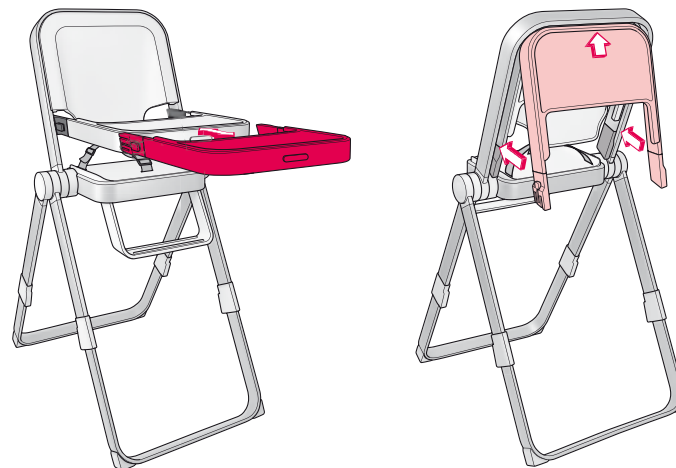
The tray (03) is stored in the CONCORD SPIN's backrest. Pull the tray back by the tube ends and then pull the whole tray down and away. Push the tray onto the mounting points from the front until it clicks audibly into place.



To remove the tray, press the stop buttons on the left and right (02) of the tray and pull it away to the front.



Push the tray into the lock opening inside the backrest to secure it, and then press the tube ends forwards onto the backrest until you hear and feel the tray click into place.



WARNING!

- Never lift the CONCORD SPIN up by the tray.

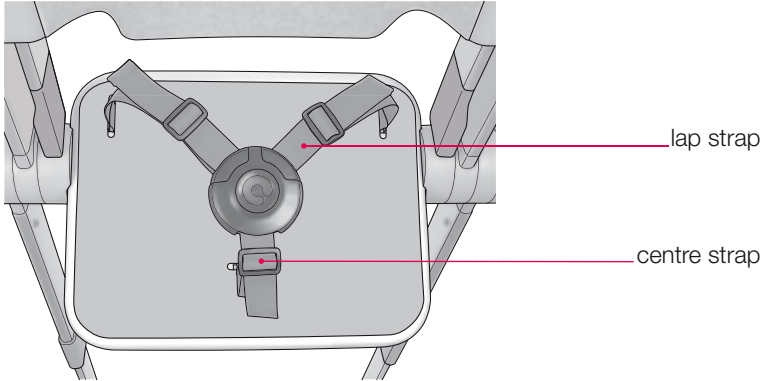
_ CLEANING AND MAINTENANCE

Clean the frame of the CONCORD SPIN with a damp cloth only.

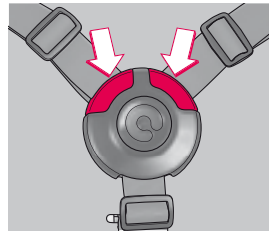
- When they come into contact with moisture, especially during washing, the cover fabrics may fade slightly.
- Do not use solvents!



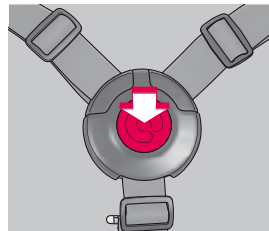
_ USING THE HARNESS SYSTEM



Feed the centre strap with the buckle through between the child's legs. Then insert the buckle adaptors on the lap straps from above into the top of the buckle. They should audibly click into position.

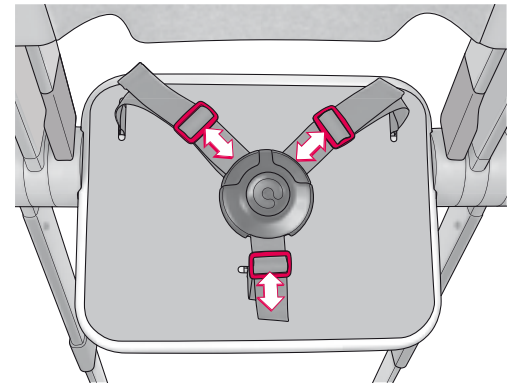


To open the harness system, press the button in the middle of the buckle until the buckle adaptors are released.

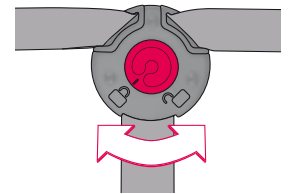


Always ensure that your child is strapped in when sitting in the CONCORD SPIN.

Adjust the straps so that they are taut and lie close against the child. To adjust the strap length, slide the belt clasps upwards or downwards. Check that the straps are not twisted.



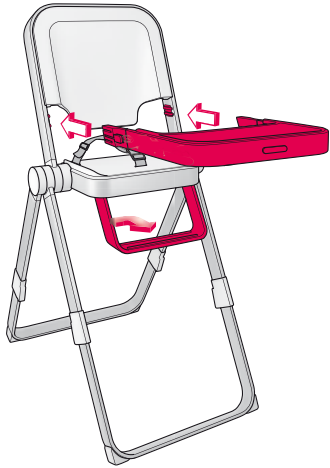
The childproof lock is on the back of the buckle. This can be activated and deactivated by turning. Activating the childproof lock blocks the buckle opening mechanism.



WARNING!

- Always use the lap straps together with the centre strap.

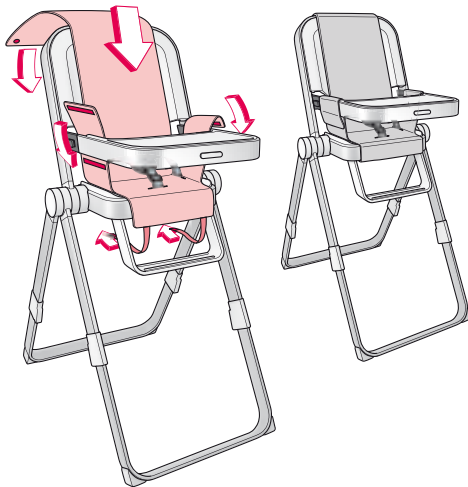
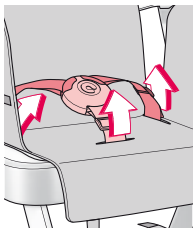
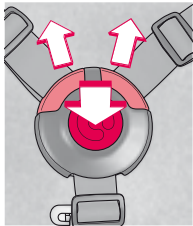
_ USING THE COVER



Before using the cover, fit the tray (03) (see USING THE TRAY) and fold out the footrest (05) (see USING THE FOOTREST).

Then undo the strap buckle (04). Place the cover on the CONCORD SPIN and pass the straps through the openings in the cover.

Do up the Velcro fasteners on the armrests and the Velcro fasteners and press studs in the back area.



_ GUARANTEE

The guarantee begins on the day of purchase. The guarantee period corresponds to the statutory warranty period in the end-user's country concerned. At the manufacturer's discretion, the guarantee shall cover rectification, replacement or a price reduction.

The guarantee is valid for the original purchaser only. In the event of any defect, claims can not be considered unless the specialist dealer is notified of the fault as soon as it occurs for the first time. If the specialist dealer is unable to remedy the problem himself, he must return the product to the manufacturers together with details of the complaint, official proof of purchase and the purchase date. The manufacturers assume no liability for faulty goods that they did not supply.

The guarantee does not apply where:

- the product has been modified;
- the product is not brought back to the specialist dealer complete with proof of purchase within 14 days of the defect occurring;
- the defect was caused by improper usage or maintenance or due to anything else deemed to be the fault of the user, in particular failure to comply with the instructions for use;
- repairs have been carried out on the product by third parties;
- the defect was caused as the result of an accident.
- the serial number has been damaged or removed

The guarantee makes no provision for any alteration or deterioration to the product that is incurred through normal usage (wear and tear). The period of guarantee shall not be extended by any remedial measures carried out by the manufacturers in the event of a claim.

_ CONCORD ORIGINAL SPARE PARTS/ACCESSORIES

Information on Concord original spare parts/accessories is available at your retailer's or directly from Concord.

Concord GmbH
Industriestraße 25
95346 Stadtsteinach
Germany

Phone +49 (0)9225.9550-0
Fax +49 (0)9225.9550-55
info@concord.de

www.concord.de

_ **DEUTSCH**
_ **ENGLISH**
_ **FRANÇAIS**
_ **ESPAÑOL**
_ **ITALIANO**
_ **PORTUGUÊS**
_ **NEDERLANDS**
_ **NORSK**
_ **DANSK**
_ **SUOMI**

Einbau- und Bedienungsanleitung
Instructions for attachment and use
Directives d'installation et mode d'emploi
Instrucciones de montaje y de uso
Istruzioni per l'uso e il montaggio
Manual de montagem e de utilização
Inbouw- en bedieningshandleiding
Bruksanvisning og monteringsveiledning
Monterings- og betjeningsvejledning
Kiinnitys- ja käyttöohjeet

Concord GmbH
Industriestraße 25
95346 Stadtsteinach
Germany

Phone +49 (0)9225.9550-0
Fa0 +49 (0)9225.9550-55
info@concord.de

www.concord.de



SP 03/1010